

## Low noise divide by 2 circuit

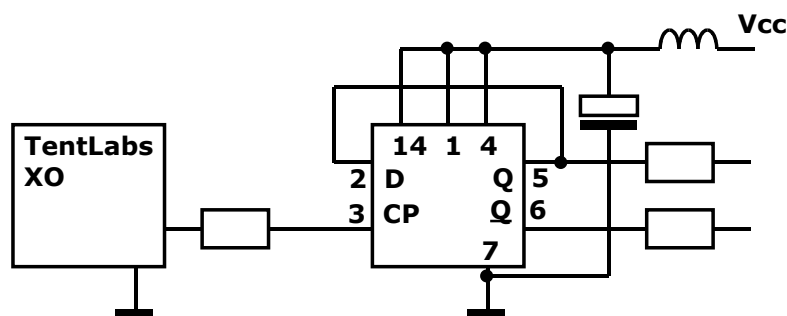
24-10-2005

This document describes how to build a simple divider. It is intended as to widen the available XO clock frequencies at [TentLabs](http://TentLabs). The circuit works well with all clocks, including 45.1584 MHz.

- Parts required

L	ferrite bead	non polar
C	10uF	longest pin is +
IC	74HC74	Dtype flipflop
R	47 ohm	All resistors

- Circuit diagram



The flipflop gives a divide by 2 at both outputs Q and  $\bar{Q}$ . Depending on the application, one of these can be taken (their phases differ 180 degrees)

- Building notes

Mount the parts on a small universal vero-board. Take notes below into account. Tie non-used inputs of the IC (pins 10 to 13) to ground.

- Decoupling Notes

Ensure good decoupling, at [TentLabs](http://TentLabs) all necessary info can be found.

- Power supply notes

In addition, a clean power supply is required. When TentLabs XO2/XO3 boards are used. Vcc can be tapped from L1. Depending on the project, 3.3V or 5.0V operation is required.

- Testing

Assure the supply voltage is < 5,5V. Power the circuit and check (oscilloscope or counter) if the outputs generate the intended new clock.

- Divide / 4

Obviously cascading 2 dividers will give a divide / 4 signal. The other half of the IC can be used, since the signals are synchronous (never mix a-synchronous signals in one IC). Check the datasheet for other inputs: [74HC74](http://www.ti.com/lit/ds/symlink/74hc74.pdf).

Succes !

Guido Tent